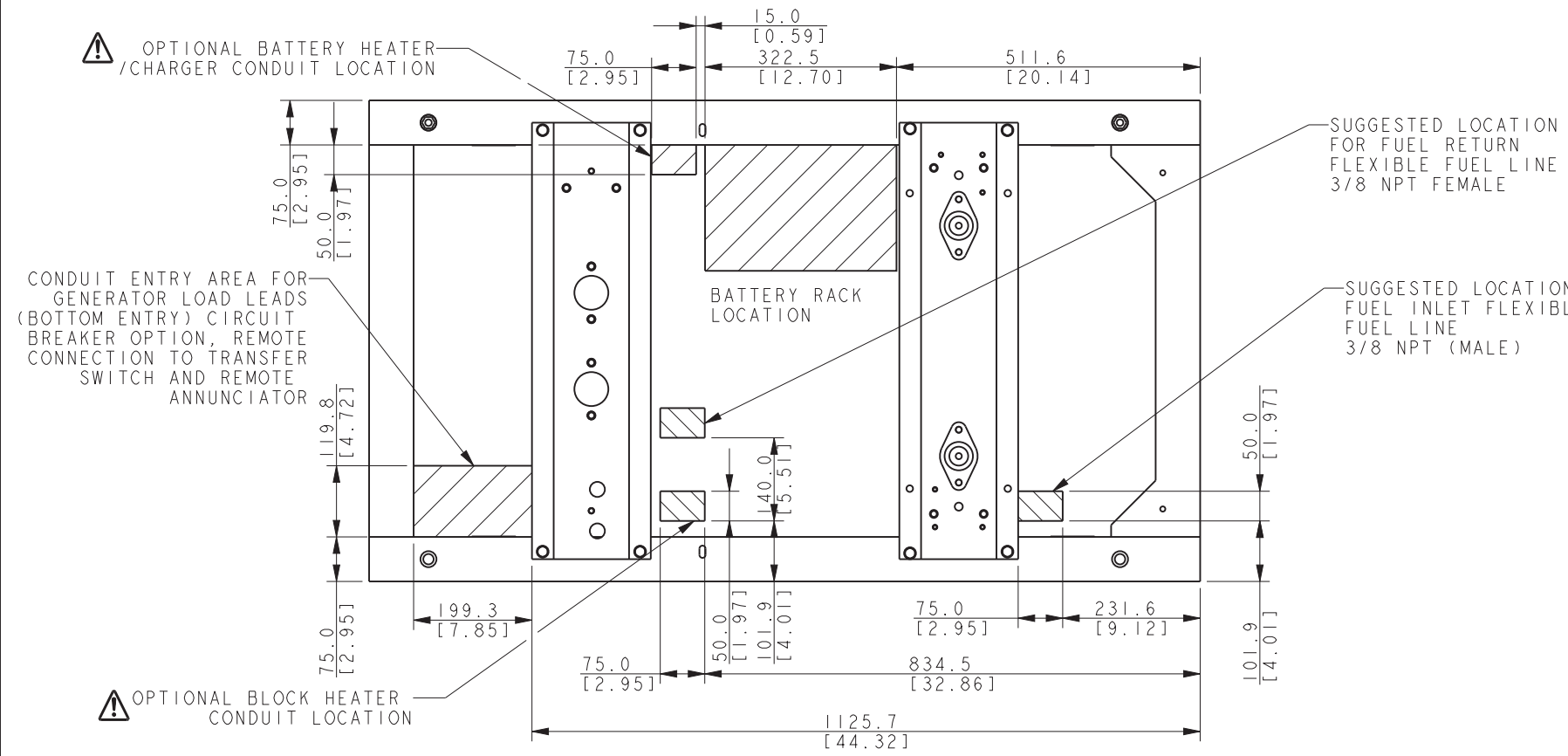
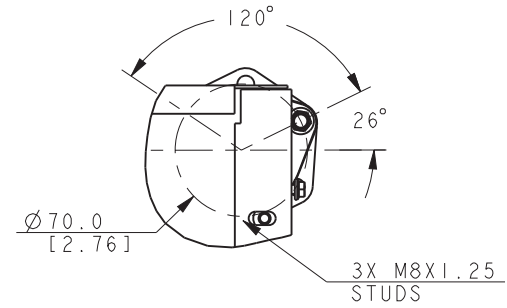


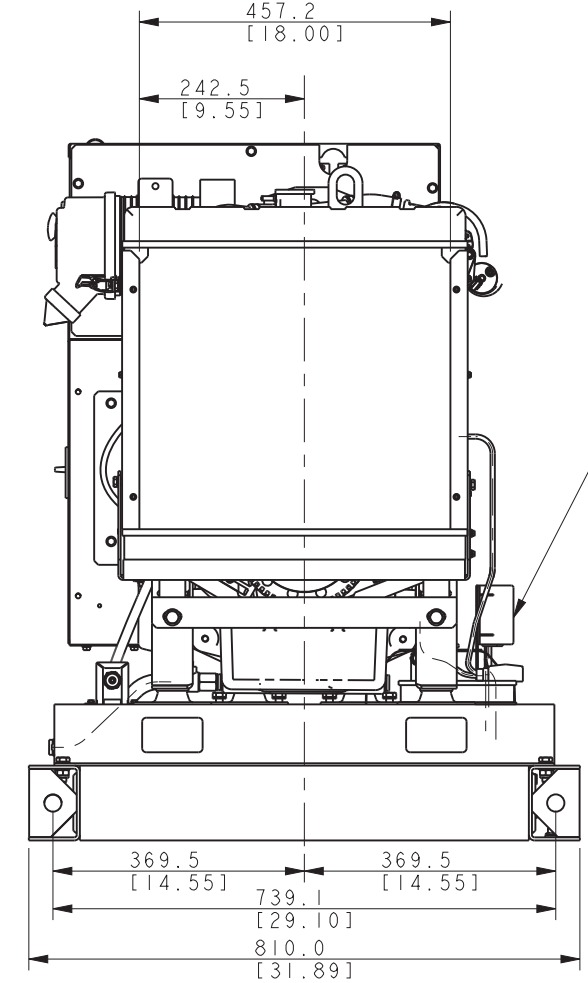
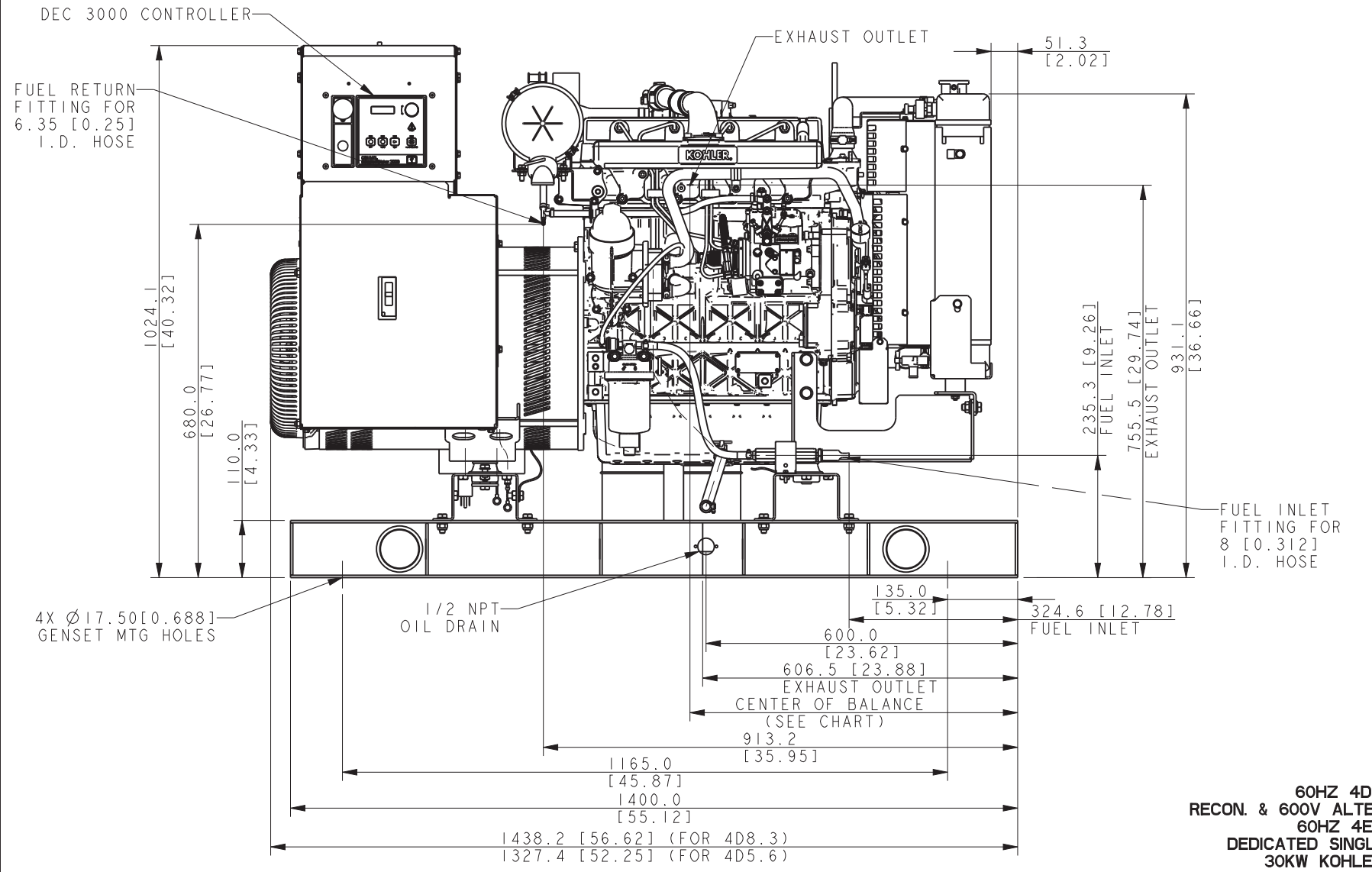
MODEL	COB OPEN	GENSET WEIGHT (WET)
30 4D5.6/4E5.6	761 [29.97]	473 Kg [1032 LBS.]
30 4D8.3/4E8.3	786 [30.94]	512 Kg [1130 LBS.]



INSTALLATION NOTE:
IF A SUBBASE FUEL TANK AND/OR ENCLOSURE IS USED, REFER TO SUBBASE FUEL TANK ADV TO DETERMINE MOUNTING LOCATIONS.



EXHAUST OUTLET
SCALE 0.50



LOCATION OF BATTERY CHARGER

ENCLOSURE AVAILABLE WITH 1935 [76.2 IN] SKID ONLY

- NOTES:**
1. WHEN SUBBASE TANK IS USED, CONDUIT MUST BE LOCATED OUTSIDE OF TANK AREA OR IN STUB-UP AREA FOR SUBBASE TANK. REFER TO SUBBASE ADV.
 2. DIMENSIONS IN [] ARE ENGLISH EQUIVALENTS.
 3. IF AN ENCLOSURE IS USED, THE FUEL LINE MUST BE STUBBED UP FROM DIRECTLY UNDER THE UNIT OR BROUGHT IN FROM THE END OF THE SKID. REFER TO ENCLOSURE ADV.

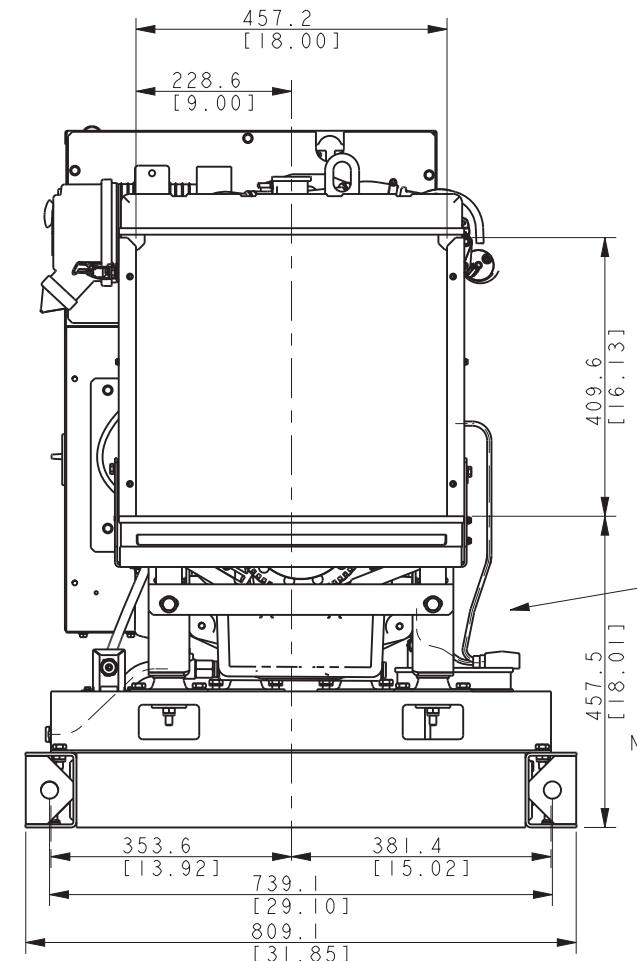
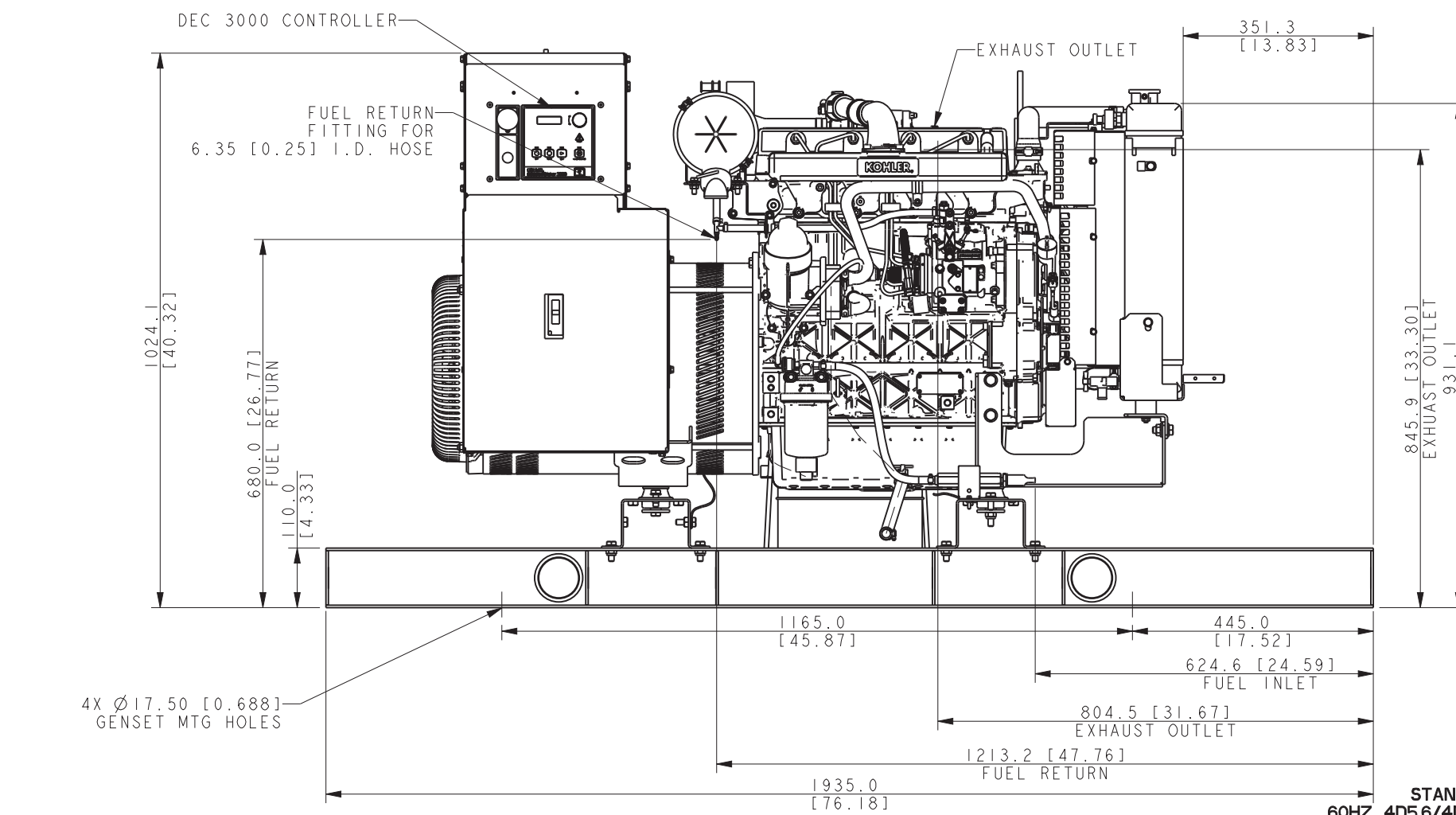
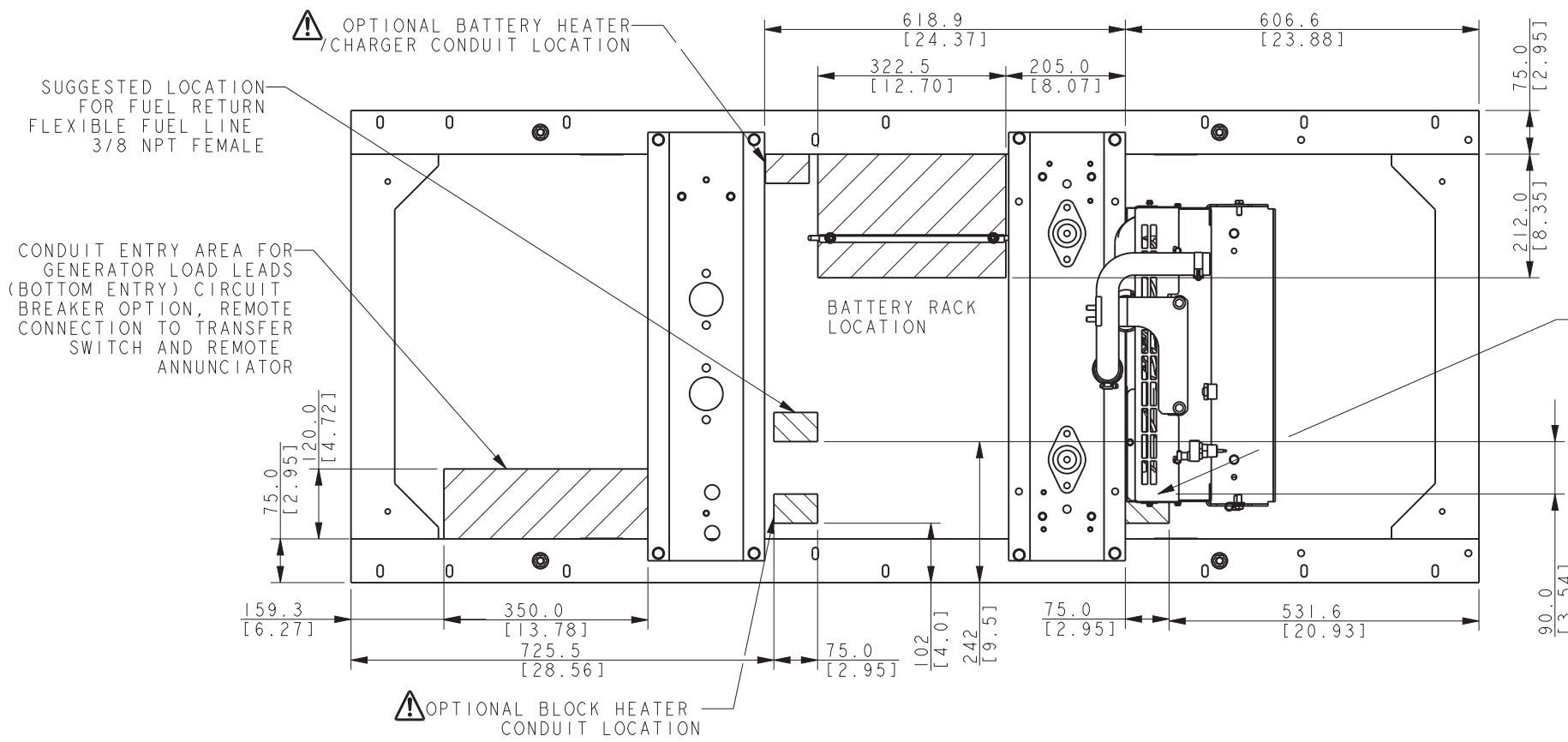
**STANDBY
60HZ 4D5.6/4D8.3
RECON. & 600V ALTERNATORS
60HZ 4E5.6/4E8.3
DEDICATED SINGLE PHASE
30KW KOHLER DIESEL**

REV	DATE	ON COMPOSITE DWGS. SEE PART NO. FOR REVISION LEVEL	BY	UNLESS OTHERWISE SPECIFIED - 1) DIMENSIONS ARE IN MILLIMETERS 2) TOLERANCES ARE:
-	06-27-14	NEW DRAWING [CT82907]	KNN	X.XX ± 0.25
A	2-17-15	(A-6/7) DIMN 1424.0 AND 1315.2 ADDED, [CT106785]	KNN	X.X ± 1.0
B	4-22-16	SEE SHEET 3 [CT144988]	RRT	X ± 1.5
C	2-20-19	(D-2) 30 4D5.6/4E5.6 WAS 30 4D5.6 & 30 4D8.3/4E8.3 WAS 30 4D8.3; (A-4) 60HZ 4E5.6/4E8.3 DEDICATED SINGLE PHASE NOTE ADDED; (A-7,6) DIMENSION 1438.2 [56.62] (FOR 4D8.3) WAS 1426.0 [56.14] (FOR 4D8.6); SEE SHEET 2 & 3 [CT193585]	DS	ANGLES ± 0° 30' MAX.

KOHLER CO. METRIC PRO-E
POWER SYSTEMS, KOHLER, WI 53044 U.S.A.
THIS DRAWING IN DESIGN AND DETAIL IS KOHLER CO. PROPERTY AND MUST NOT BE USED EXCEPT IN CONNECTION WITH KOHLER CO. WORK. ALL RIGHTS OF DESIGN OR INVENTION ARE RESERVED.

TITLE
DIMENSION PRINT, 30KW LOMBARDINI

SCALE 0.18 CAD NO. SHEET 1 of 3
DWG NO. **ADV-8676**



NOTES:
 1) DIMENSIONS ARE IN MILLIMETERS
 2) TOLERANCES ARE:
 X.XX ± 0.25
 X.X ± 1.0
 X ± 1.5
 ANGLES ± 0° 30' MAX.
 DIMENSIONS IN [] ARE ENGLISH EQUIVALENTS
 SEE SHEET 1 FOR GENSET WEIGHTS
 WHEN SUBBASE TANK IS REQUIRED
 REMOVE SKID 110 [4.33].
 GENSET COSMEMBERS MOUNT
 DIRECTLY TO TANK SIDE CHANNELS.

**STANDBY
 60HZ 4D5.6/4D8.3
 RECON. & 600V ALTERNATORS
 60HZ 4E5.6/4E8.3
 DEDICATED SINGLE PHASE
 30KW KOHLER DIESEL**

REV	DATE	ON COMPOSITE DWGS. SEE PART NO. FOR REVISION LEVEL	BY	UNLESS OTHERWISE SPECIFIED - 1) DIMENSIONS ARE IN MILLIMETERS 2) TOLERANCES ARE:
-	5-29-14	NEW DRAWING [CT82907]	KNN	X.XX ± 0.25
A	2-17-15	SEE SHEET 1 [CT106785]	KNN	X.X ± 1.0
B	4-22-16	SEE SHEET 3 [CT144988]	RRT	X ± 1.5
C	2-20-19	(A-4) 60HZ 4E5.6/4E8.3 DEDICATED SINGLE PHASE NOTE ADDED; SEE SHEET 1 & 3 [CT193585]	DS	ANGLES ± 0° 30' MAX.

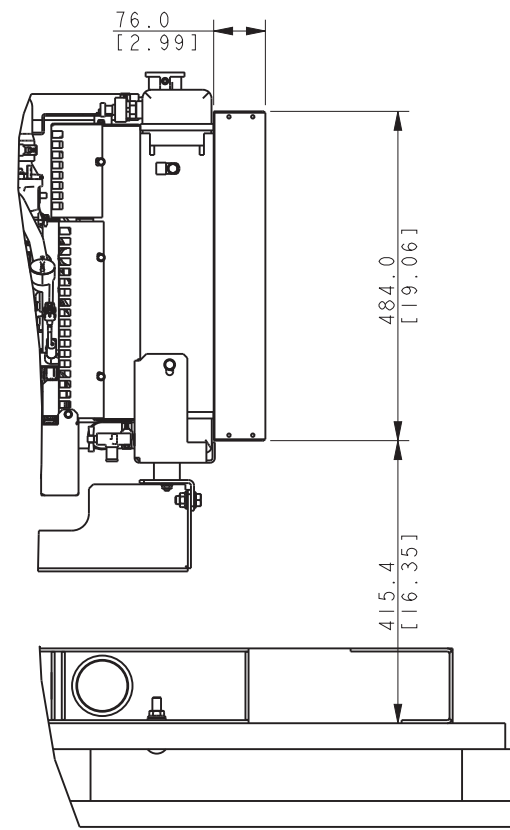
APPROVALS	DATE
DRAWN KNN	5-29-14
CHECKED CEK	5-29-14
APPROVED BMK	5-29-14

KOHLER CO. METRIC PRO-E
 POWER SYSTEMS, KOHLER, WI 53044 U.S.A.
 THIS DRAWING IN DESIGN AND DETAIL IS KOHLER CO. PROPERTY AND MUST NOT BE USED EXCEPT IN CONNECTION WITH KOHLER CO. WORK. ALL RIGHTS OF DESIGN OR INVENTION ARE RESERVED.

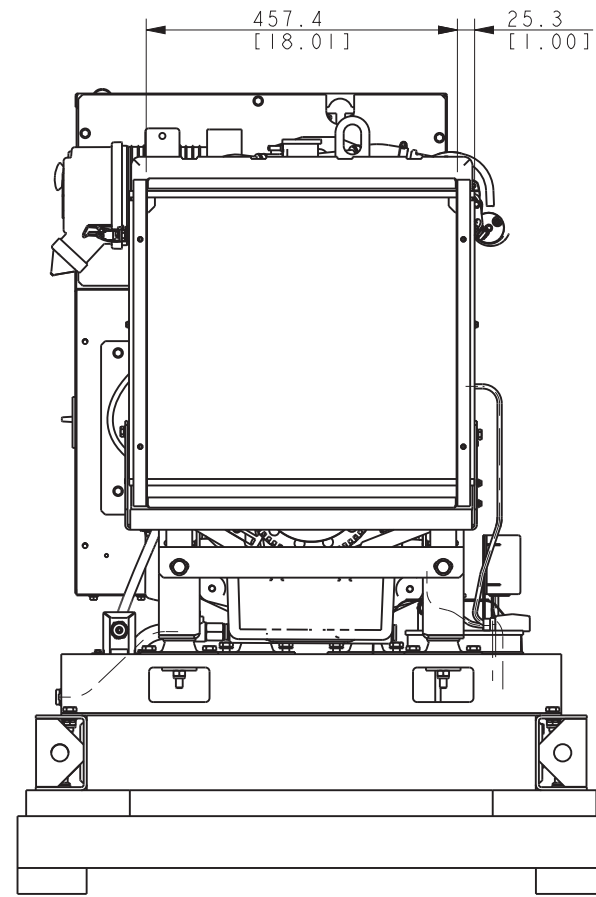
TITLE: **DIMENSION PRINT, 30KW LOMBARDINI**

SCALE 0.18 CAD NO. SHEET 2 of 3

DWG NO. **ADV-8676**



RADIATOR DUCT FLANGE

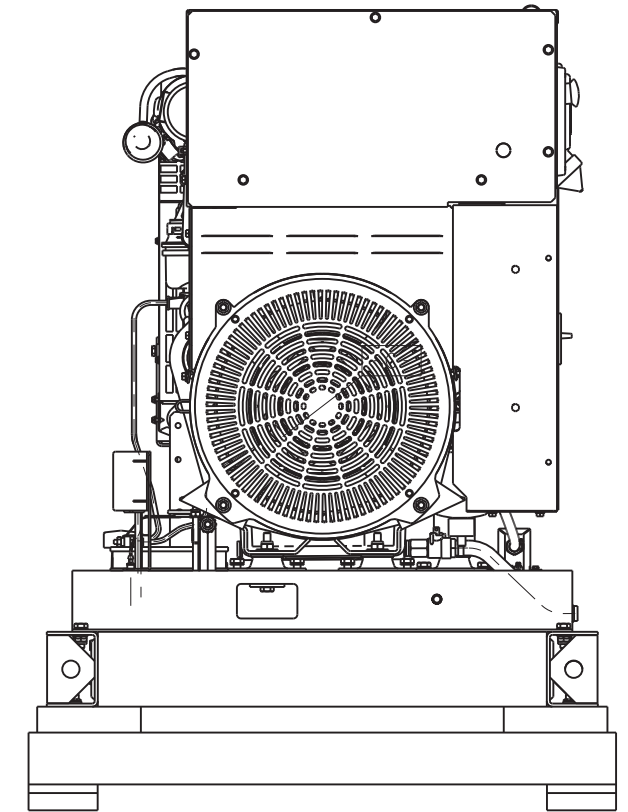


BATTERY CHARGER

90-135V AC
POWER CORD
LENGTH 1829 [72.0]

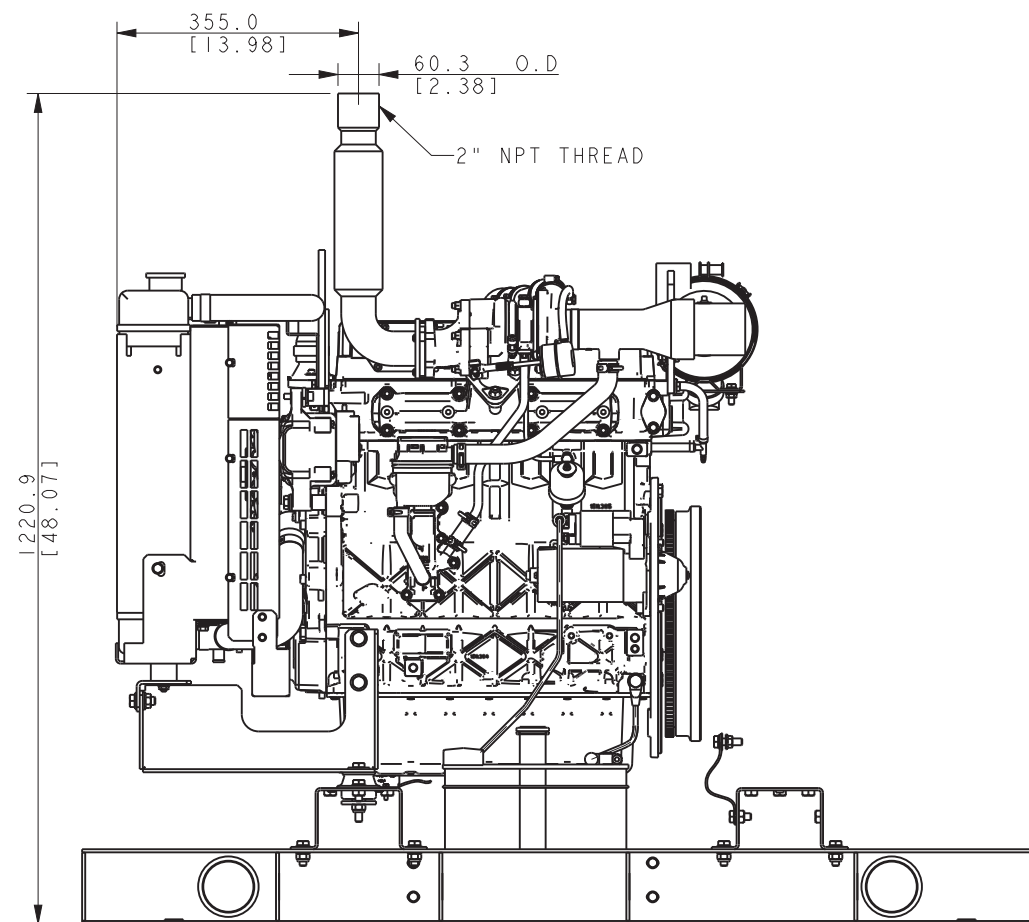
CONNECT TO BATTERY

BATTERY CHARGER

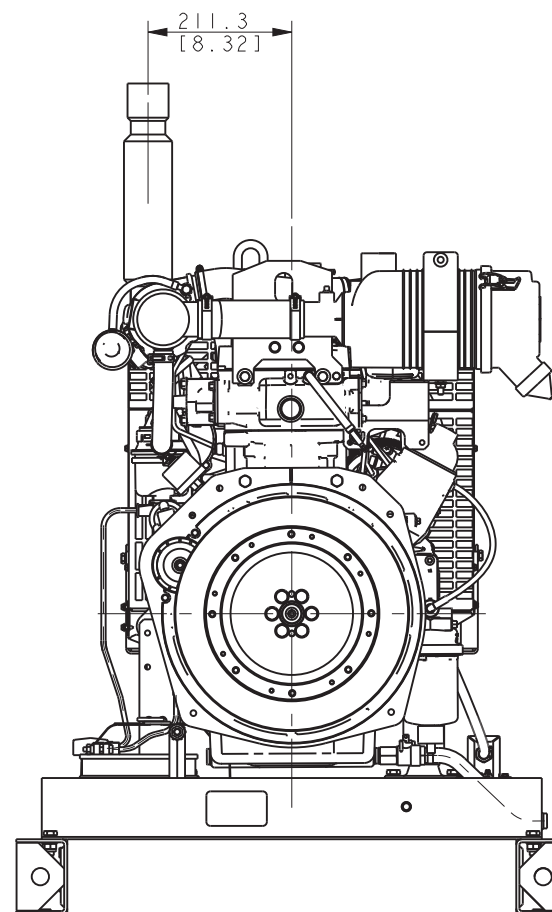


BLOCK HEATER
90-135V AC
POWER CORD
LENGTH 72"

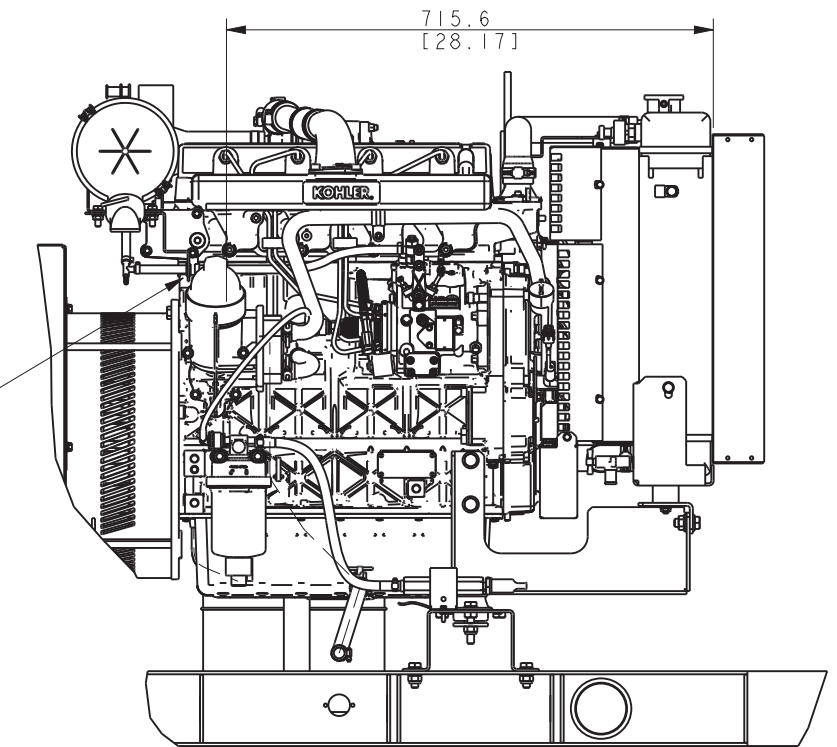
BLOCK HEATER



FLEXIBLE EXHAUST



STANDBY
60HZ 4D5.6/4D8.3
RECON. & 600V ALTERNATORS
60HZ 4E5.6/4E8.3
DEDICATED SINGLE PHASE
30KW KOHLER DIESEL



REV	DATE	ON COMPOSITE DWGS. SEE PART NO. FOR REVISION LEVEL	BY	UNLESS OTHERWISE SPECIFIED - 1) DIMENSIONS ARE IN MILLIMETERS 2) TOLERANCES ARE:
-	5-30-14	NEW DRAWING [CT82907]	KNN	X.XX ± 0.25
A	2-17-15	SEE SHEET 1 [CT106785]	KNN	X.X ± 1.0
B	4-22-16	(B-7) 2" NPT THREAD NOTE ADDED [CT144988]	RRT	X ± 1.5
C	2-20-19	(A-4) 60HZ 4E5.6/4E8.3 DEDICATED SINGLE PHASE NOTE ADDED; SEE SHEET 1 & 2 [CT193585]	DS	ANGLES ± 0° 30'

APPROVALS	DATE
DRAWN KNN	5-30-14
CHECKED CEK	5-30-14
APPROVED BMK	5-30-14

KOHLER CO. METRIC PRO-E
POWER SYSTEMS, KOHLER, WI 53044 U.S.A.
THIS DRAWING IN DESIGN AND DETAIL IS KOHLER CO. PROPERTY AND MUST NOT BE USED EXCEPT IN CONNECTION WITH KOHLER CO. WORK. ALL RIGHTS OF DESIGN OR INVENTION ARE RESERVED.

TITLE
DIMENSION PRINT, 30KW LOMBARDINI

SCALE 0.18 CAD NO. SHEET 3 of 3
DWG NO. **ADV-8676**